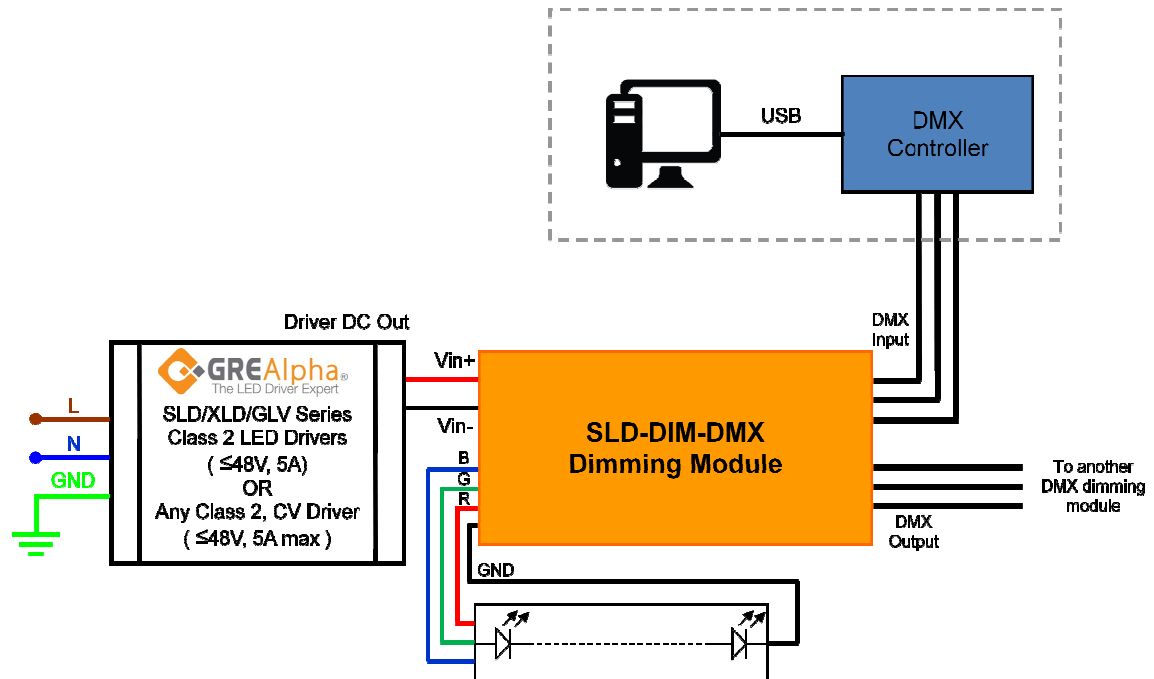


SLD-DIM-DMX



Ensure DIP switch is set to DMX mode