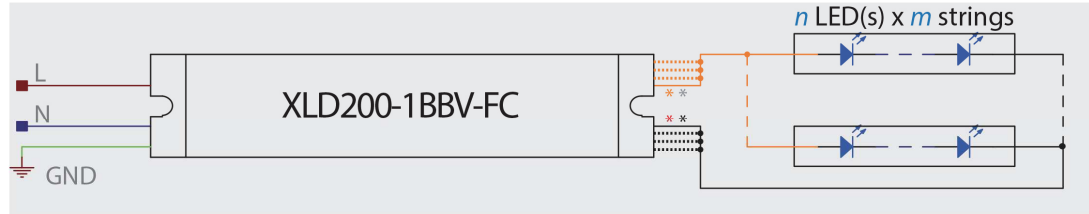


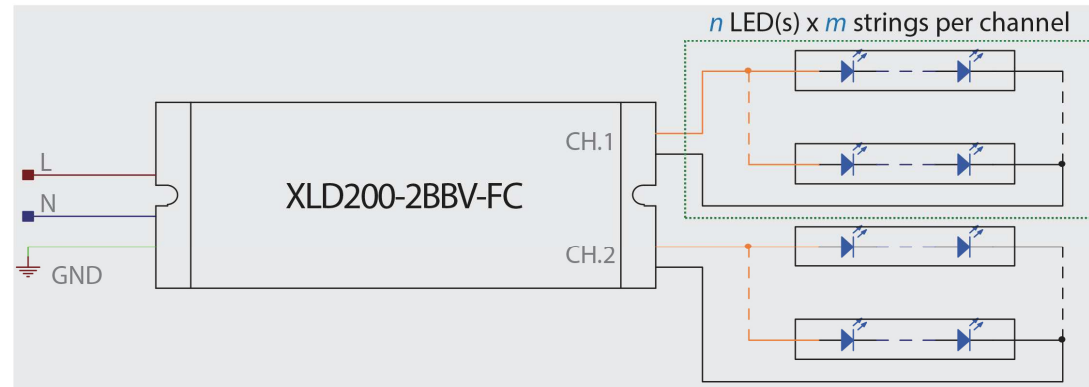
XLD200

Configuration Arrays

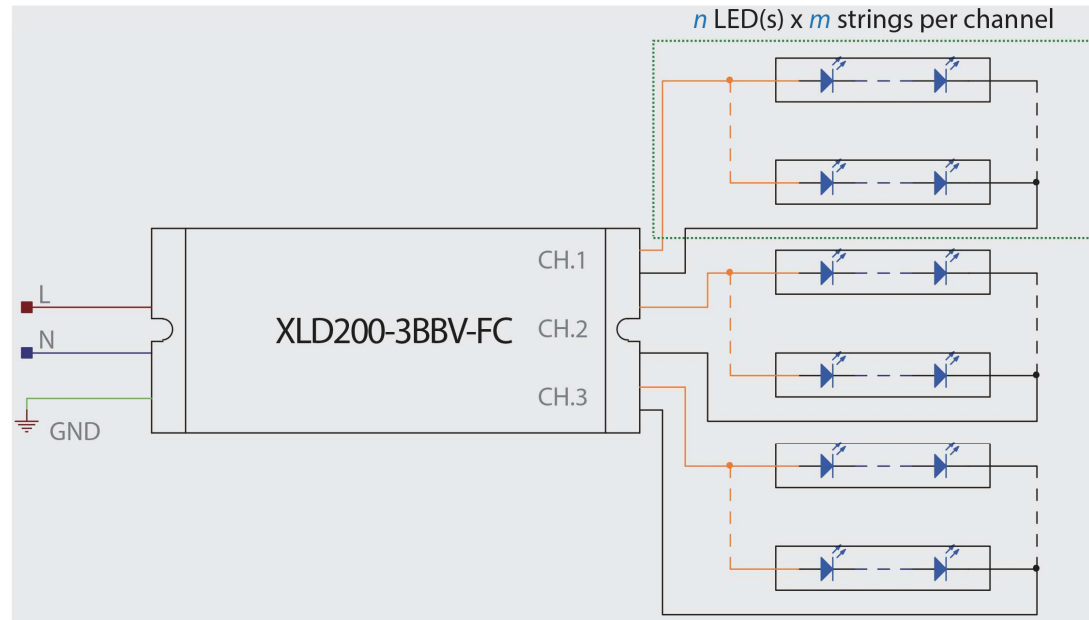
Single Channel Output Models



2 Channel Output Models



3 Channel Output Models



Configuration Arrays

4 Channel Model

