

BLE Constant Voltage LED Dimming Module



SLD-DIM-XG4



BLE LED Dimming Module



Power by
XICATO® Controls

GRE Alpha's BLE Dimming Module is a 400 Watt Constant voltage LED dimming module enables hassle-free lighting control with no compromise in performance. Utilizing the latest in Bluetooth mesh, GRE Alpha's BLE dimming module features direct, peer-to-peer communication between nodes, ensuring instantaneous response to input from switches, sensors and mobile devices without the need for hubs or a central controller. GRE Alpha's Dimming module is part of the Xicato's GalaXi ecosystem and runs on Xicato's GalaXi app, allowing quick and seamless installation and commissioning of lighting systems.

Features

- BLE 4.2 with BLE Beacon technology
- Designed to work with Xicato Galaxi Ecosystem devices
- Instantaneous dimming (<0.1ms response time) dim level 0.1% (programmable with GalaXi App or PC)
- Performance monitoring, and scene setting
- Comply with EN55015 and FCC Part 15 without additional input filter or capacitor
- Compact size, high reliability
- 3 years warranty

Applications

- Architectural Lighting
- Effect & Contour Lighting
- Office General Illumination
- Warehouses
- Street Lighting
- Signage
- Strip Lighting
- Troffer lighting and CV based LED devices within 12V to 48V

Model	Input Voltage Range(Vin)	Max. Input Current (A)	Channel(s) Output	Output Rating		Max Power (Per Channels)(W)	Max Output Power (All Channels) (W)
				Voltage (VDC)	Max. Current (All Channels) (A)		
SLD-DIM-XG4	8 - 48	12	4	Vin - 0.3V	5	100	400
SLD-DIM-XG4-UL	8 - 48	5	4	Vin - 0.3V	5	100	100

*- SLD-DIM-XG4 dimming module requires an external CV LED driver, connected to the DC input, and should not exceed the above input voltage range.

Input Specification

Voltage Range	Please refer to model table	Input Current	Please refer to model table
Control	BLE 4.2	Over Voltage	Auto Recovery upon input voltage under Vin (max)
Short Circuit Protection	Hiccup-Mode, Auto-Recovery upon removal of short circuit condition.	Under voltage Logout	Auto Recovery upon input voltage under Vin (max)
Over Temperature Protection	Auto recovery upon operating temperature <105°C		

Output Specification

Output Frequency	1 kHz PWM	Output Current	5A max. at full load **
Power Efficiency	97% Typ	Dimming Ratio	1:1000

** - SLD-DIM-XG4 dimming module max. output current is dependent on LED driver output current , SLD-DIM-XG4-UL should not exceed the Class 2 maximum of 5A or 100W per output channel.

Environmental Specification

Ambient Temperature	Storage Temp	Relative Humidity
- 20°C ~ 40°C (Full Load)	- 40°C - 85°C	5% - 93 %

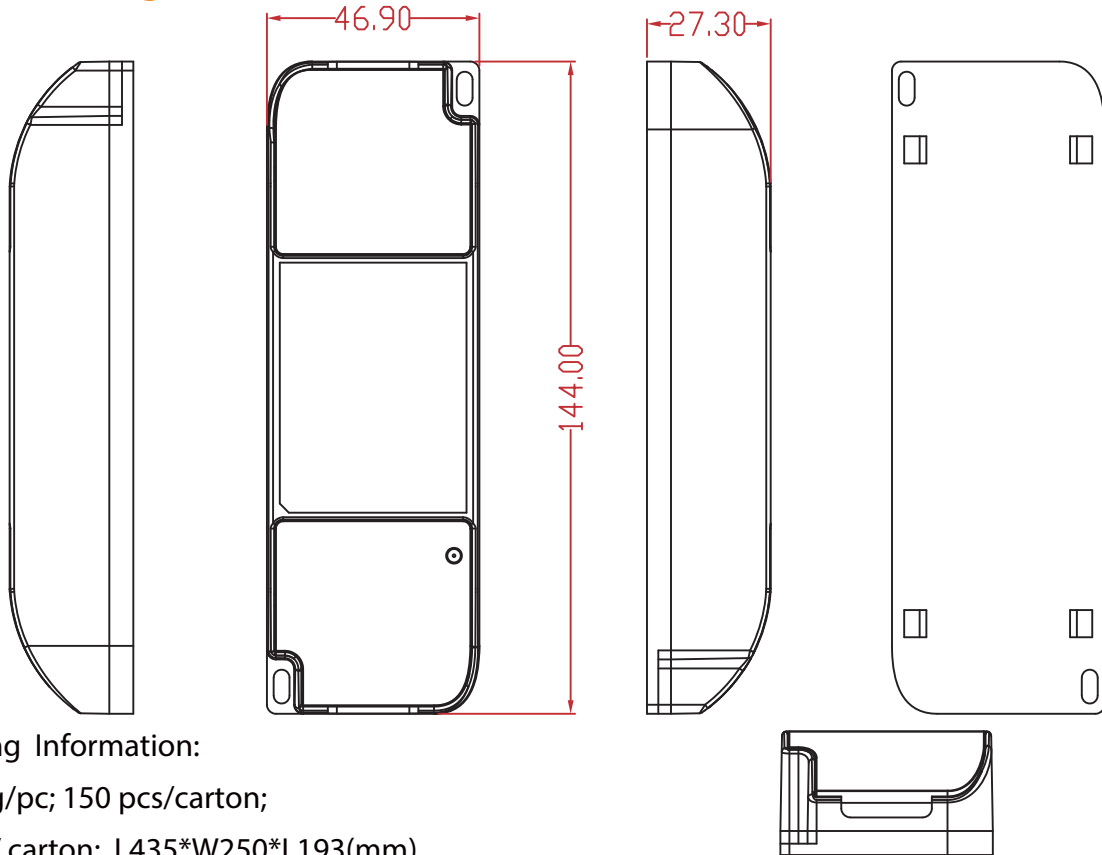
Compliance / Safety

Wireless Standards:	BLE 4.2
Weatherability:	IP 20

Mechanical Specification

Power Unit Dimensions	144mm (L) x 46.9mm (W) x 27.3mm (H)
Case Design/Material	Polycarbonate White
Connectors	Vin+, Vin-, LED1+, LED1-,LED2+, LED2-,LED3+, LED3-,LED4+, LED4-
Connectors Type	Terminal block connectors

Mechanical Diagram

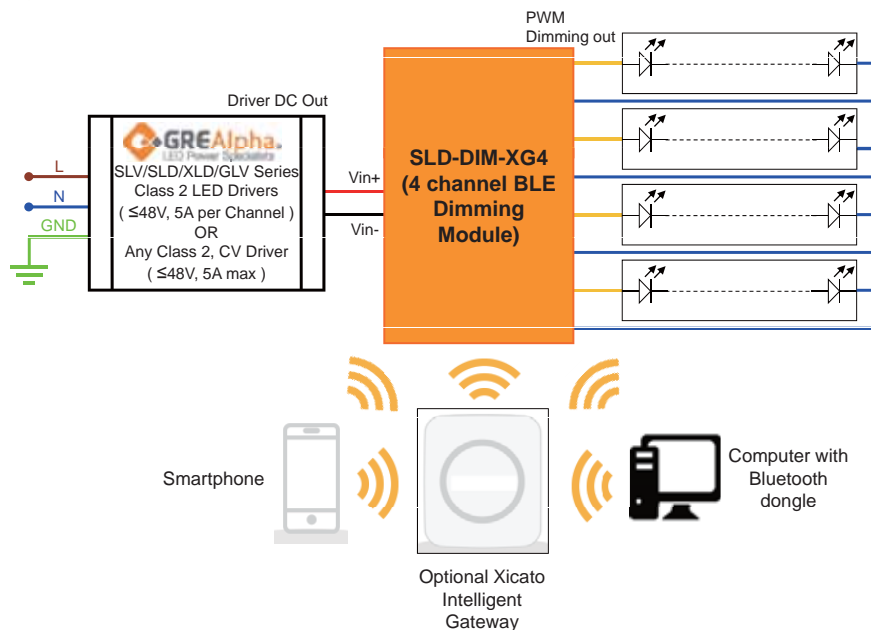


Packing Information:

0.04kg/pc; 150 pcs/carton;

6.8kg/ carton; L435*W250*L193(mm)

Wiring Diagram



* 0-100% flicker-free performance not guaranteed when used with non-GRE Alpha CV Drivers

Information furnished is believed to be accurate and reliable. However, GRE Alpha assumes no responsibility for the consequences of use of such information nor for any infringement of patents or other rights of third parties which may result from its use. No license is granted by implication or otherwise under any patent or patent rights of GRE Alpha. Specifications mentioned in this publication are subject to change without notice. This publication supersedes and replaces all information previously supplied.

The GRE Alpha logo is a registered trademark of GRE Alpha Electronics Ltd.
All other names are the property of their respective owners