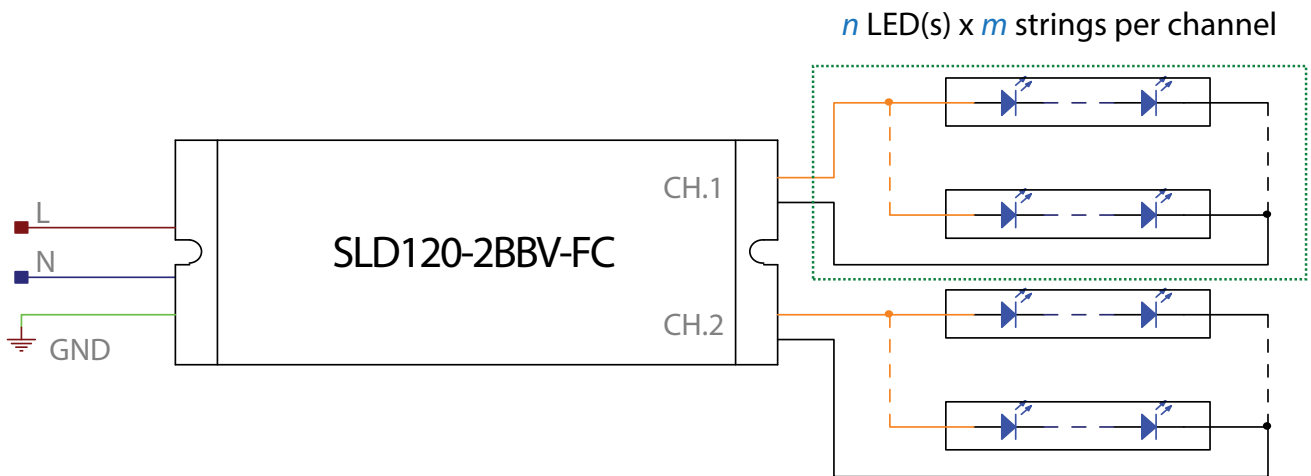


## SLD120 Series Configuration Arrays and Wiring



Model	CC mode LED Voltage Range (V)	Recommended n LED(s) per String *	Current POT Adjust Range (A)	LED Current per String
SLD120-210V-FC	7.0-10.5	2-4	0.5 0-10.00	$= \frac{I_{out}}{m \text{ Strings}}$
SLD120-212V-FC	8.4-12.6	3-5	0.50-10.00	
SLD120-215V-FC	10.5-15.8	3-6	0.50-8.00	
SLD120-218V-FC	12.6-18.9	4-7	0.50-6.67	
SLD120-221V-FC	14.7-22.1	4-8	0.46-5.70	
SLD120-224V-FC	16.8-25.2	5-9	0.40-5.00	
SLD120-227V-FC	18.9-28.4	5-10	0.36-4.44	
SLD120-236V-FC	25.2-37.8	7-14	0.27-3.33	
SLD120-248V-FC	33.6-50.4	9-18	0.20-2.50	
*LED Vf range: 2.7-3.6V, CH.1 & CH.2 Output Voltage/Current equal				

The GRE Alpha logo is a registered trademark of GRE Alpha Electronics Ltd.  
All other names are the property of their respective owners