

GRE Alpha's Casambi Dimming Module



SLD-DIM-CB



Casambi Dimming Module



CASAMBI
READY

GRE Alpha's Casambi enabled dimming module is a 240 Watt single channel output Constant Voltage LED dimming module that allows for seamless integration with Casambi-enabled luminaires, sensors, wall mounted and wireless switches.

Features

- Wireless Bluetooth Low Energy communication
- Single Channel output
- Free Casambi App on Android and iOS
- Unlimited number of luminaire connections
- Comply with EN55015 and FCC Part 15 without additional input filter or capacitor
- Easy to Install, high reliability
- 3 years warranty

Benefits

- Enables multiple fixture dimming from one Casambi node, i.e., Track Lighting
- Easily integrate Casambi BLE to any non-dimming installation
- Easily integrate Casambi BLE to replace any existing wired dimming system, i.e. 0-10V, Phase dimming, etc.
- UL Listed module can be installed anywhere, including within GRE Alpha drivers, to eliminate J-boxes, etc.

Applications

- Retrofit lighting
- Commercial, retail, residential Lighting
- Museum, Hotel, Office lighting

Model	Input Voltage Range(Vdc)	Channel(s) Output	Output Rating		Max Output Power (All Channels) (W)
			Voltage (VDC)	Max. Current (All Channels) (A)	
SLD-DIM-CB	8 - 48	1	Vin - 0.3V	5	240

*- SLD-DIM-CB dimming module requires an external CV LED driver, connected to the DC input, and should not exceed the above input voltage range.

*- UL Class 2 certified for use with UL Class 2 LED Drivers.

Input Specification

Voltage Range	Please refer model table	Input Current	5.2A max (per channel)
Control	BLE 4.2	Over Voltage	Auto Recovery upon input voltage under Vin (max)
Short Circuit Protection	Hiccup-Mode, Auto-Recovery upon removal of short circuit condition.	Under voltage Logout	Auto Recovery upon input voltage under Vin (max)
Over Temperature Protection	Auto recovery upon operating temperature <105°C		

Output Specification

Output Frequency	1.6 kHz PWM	Output Current	5A max. at full load **
Power Efficiency	97% Typ	Dimming Ratio	1:1000

** - SLD-DIM-CB dimming module max. output current is dependent on LED driver output current , which should not exceed the Class 2 maximum of 5A or 100W per output channel.

Environmental Specification

Ambient Temperature	Pollution Degree	Protection Against Electric Shock Class	Overtoltage Category	Storage Temp	Relative Humidity
- 20°C ~ 40°C (Full Load)	2	Class		- 40°C - 85°C	5% - 93 %

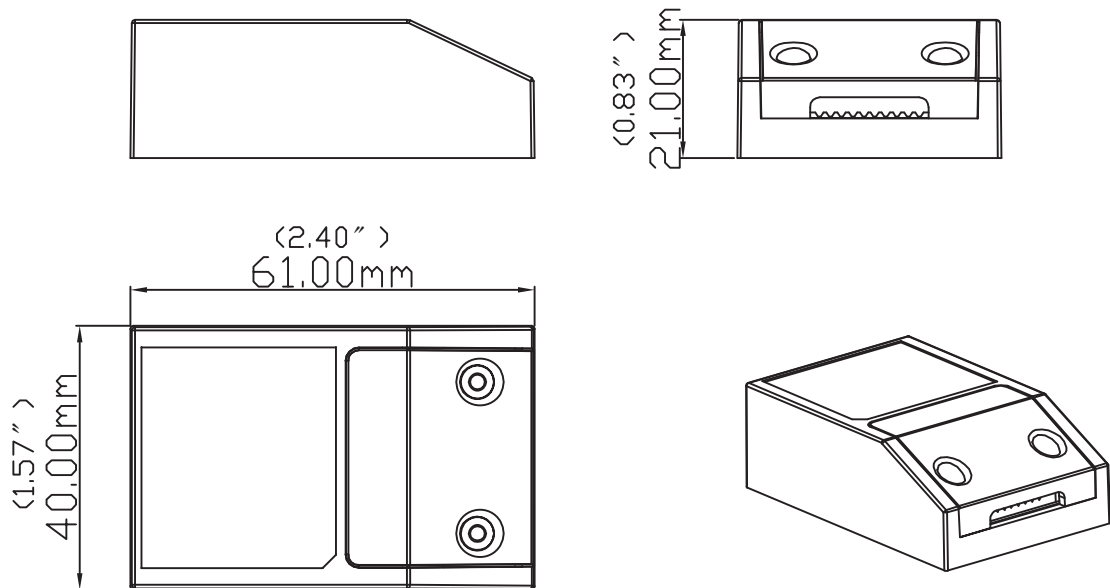
Compliance / Safety

Wireless Standards:	BLE 4.2
Weatherability:	IP 20
Safe Standards:	UL 60730-1 , CSA E 60730-1

Mechanical Specification

Power Unit Dimensions	61mm (L) x40mm (W) x 21mm (H)
Case Design/Material	Polycarbonate White
Connectors	Vin+, Vin-, LED+, LED-
Connectors Type	WAGO terminal block connectors
Wire Size	24 -16 AWG (0.25 - 1 mm) Use Copper Conductors Only

Mechanical Diagram



Packing Information:

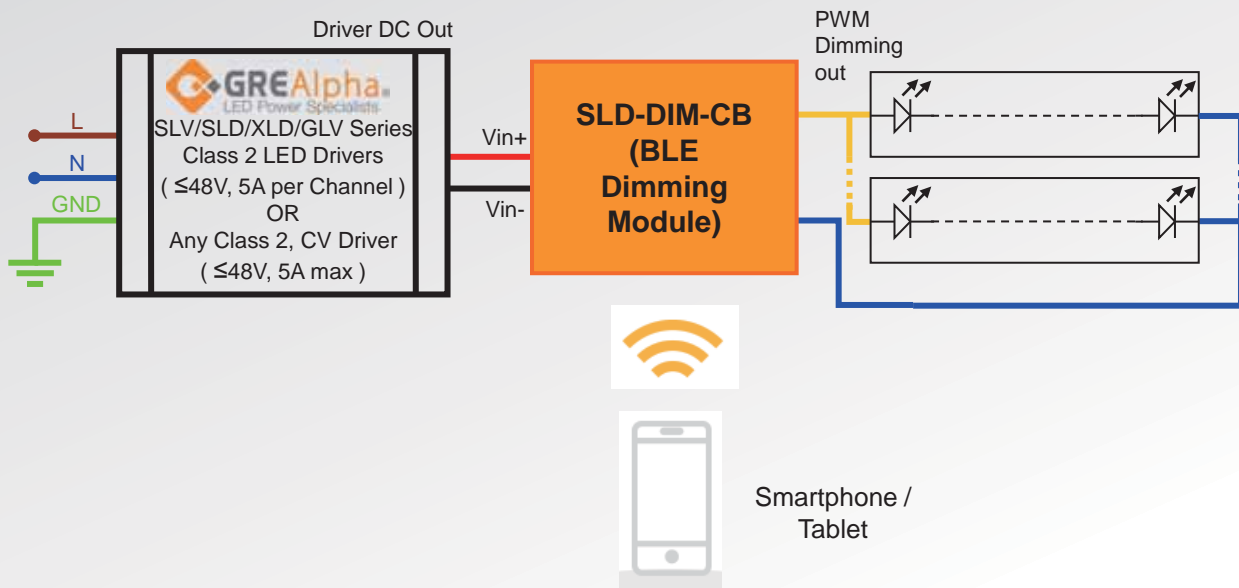
0.04kg/pc; 150 pcs/carton;

6.8kg/ carton; L435*W250*L193(mm)

Information furnished is believed to be accurate and reliable. However, GRE Alpha assumes no responsibility for the consequences of use of such information nor for any infringement of patents or other rights of third parties which may result from its use. No license is granted by implication or otherwise under any patent or patent rights of GRE Alpha. Specifications mentioned in this publication are subject to change without notice. This publication supersedes and replaces all information previously supplied.

The GRE Alpha logo is a registered trademark of GRE Alpha Electronics Ltd.
All other names are the property of their respective owners

Wiring Diagrams



-* 0-100% flicker-free performance not guaranteed when used with non-GRE Alpha CV Drivers

First Time Use/Pairing Instructions

1. Connect the SLD-DIM-CB dimming module per the Wiring Diagram.
2. Power on.
3. Download the Casambi App from the App Store (for iOS devices) or Google Play (Android devices) and follow the instructions on the Casambi App.